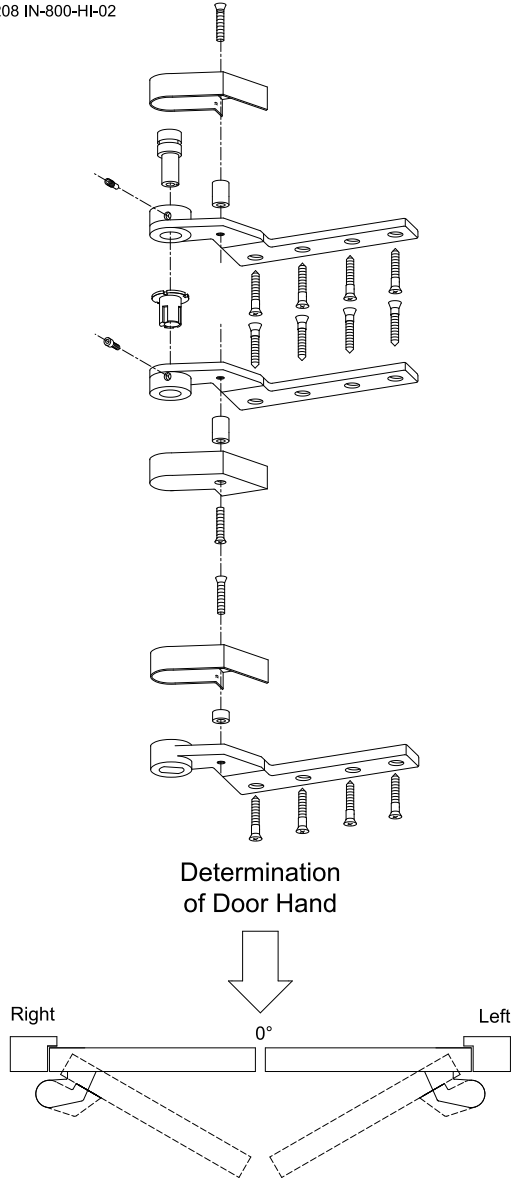
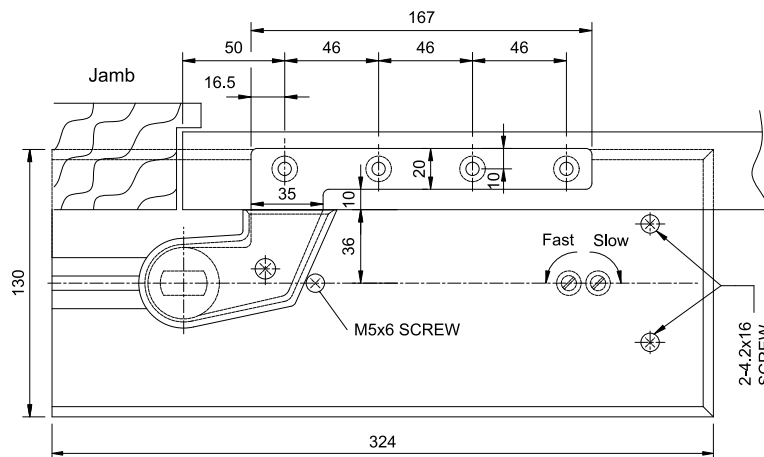
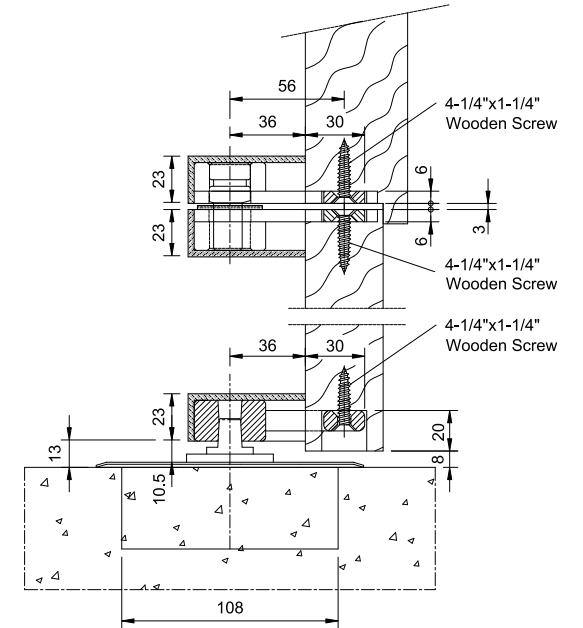
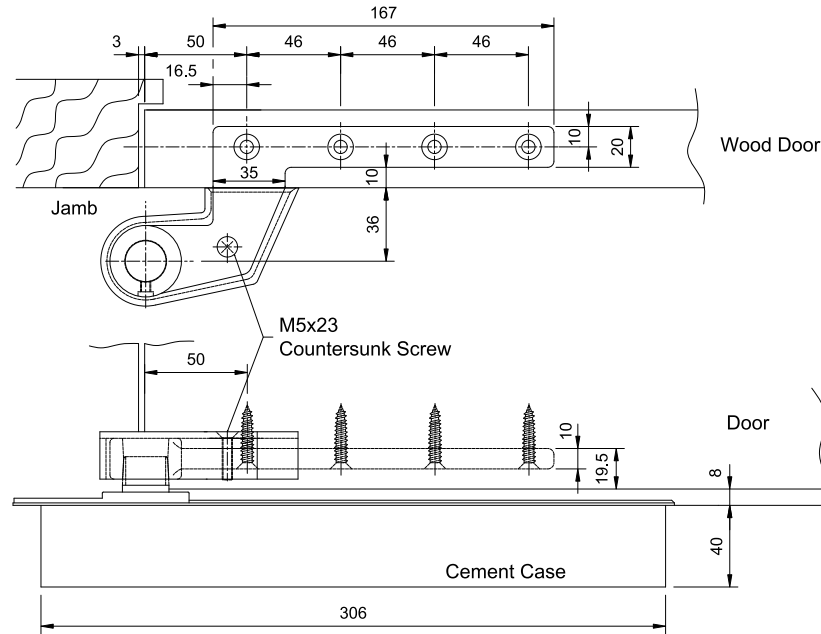


10208 IN-800-HI-02



#### Top pivot

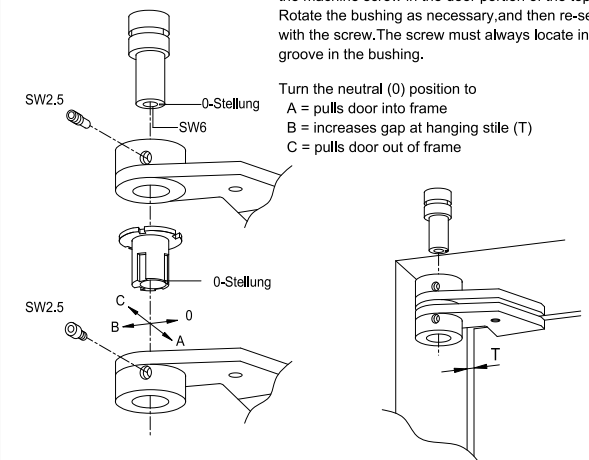


#### Additional adjustments:

Support the weight of the door with a wedge, and loosen the machine screw in the door portion of the top centre. Rotate the bushing as necessary, and then re-secure with the screw. The screw must always locate into a groove in the bushing.

Turn the neutral (0) position to

A = pulls door into frame	-1mm
B = increases gap at hanging stile (T)	+2mm
C = pulls door out of frame	+1mm



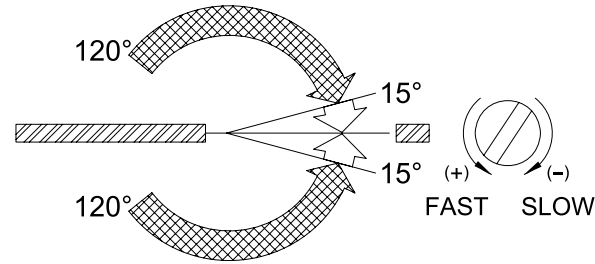
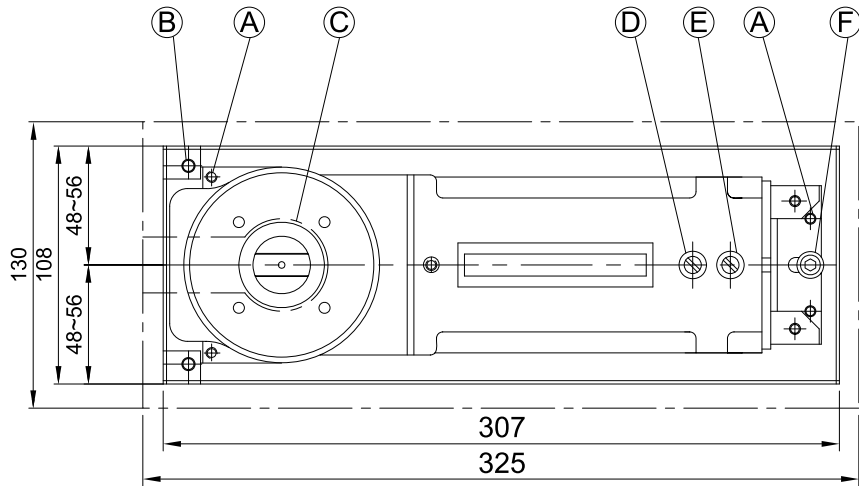
A.

Closer size	Max. Door Width	Max. Door Weight	Max. Opening Angle
Size 2	850mm	40kg	120°
Size 3	950mm	80kg	120°
Size 4	1100mm	100kg	130°

B. Maintenance (Annually):  
Check door closer closes the door correctly and adjust if necessary.  
Tighten any screw that may have become loose.

C. Important warning:  
It contains a pre-stressed spring which could be dangerous, so under no circumstances attempt to dismantle the closer.

# FIXING INSTRUCTION FOR DOUBLE ACTION FLOOR HINGE



- Preparation:
  - Mill or route door and frame to accept relevant top center parts.
- Top Center - frame portion:
  - To change the extended "THROW" of pivot pin ③ proceed as follows.
    - Unscrew shoulder screw ④, turn adjustment screw ① counter clockwise until pivot pin ③ and rocker arm ② can be removed.
    - Select the desired hole in pivot pin ③, A, B or C, and reassemble in same sequence.
    - Maximum "THROW" is achieved with rocker arm ② in position C.
- Locate Floor Hinge:
  - Make recess in floor for cement case, fit Floor Hinge in position.
  - Ensure spindle aligns with pivot pin in frame.
  - Take dust plate ③ from coverplate, place it over spindle before hanging door.

- Installation of door:
  - Open door properly to reveal adjustment screw of pivot pin.
  - Turn screw counter clockwise until pin fully engages with pivot in door.

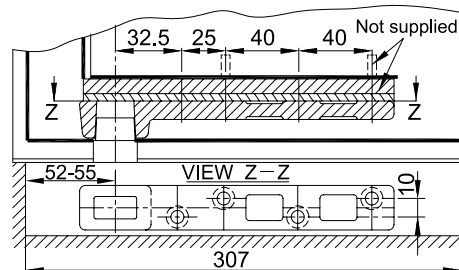
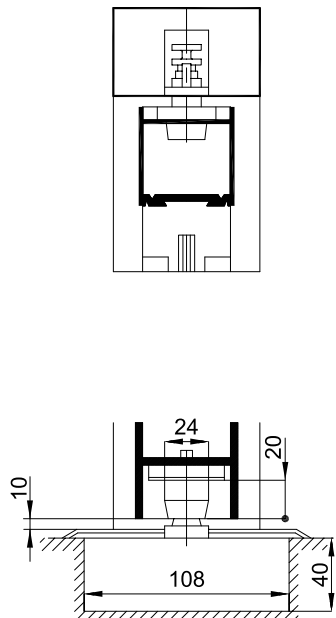
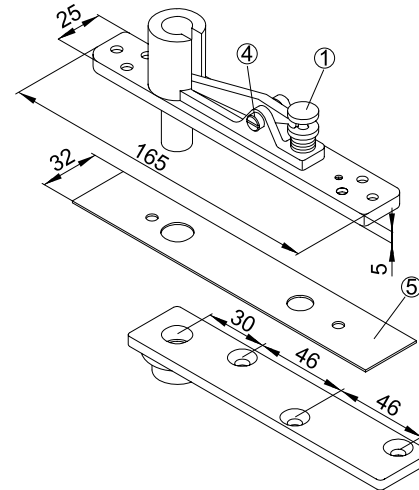
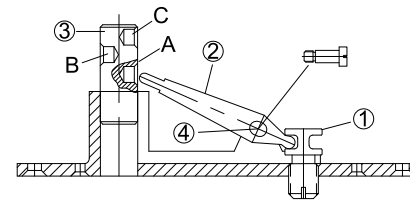
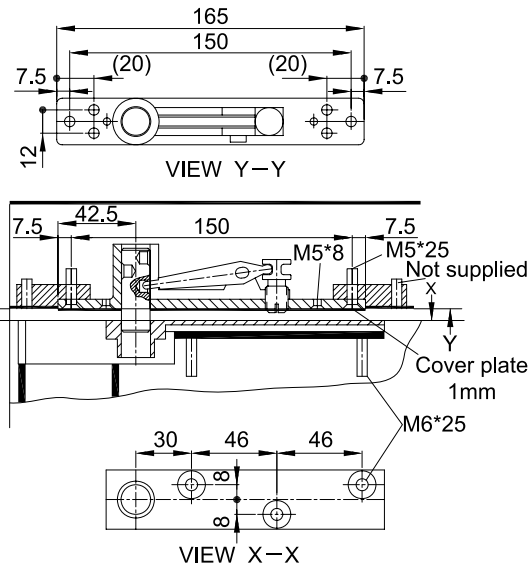
- Adjustment of clearance between hinge jamb and door stile:
  - Loosen screws ⑥ and ⑦.

- Adjustment of door height:
  - Loosen screws ⑧, ⑨, and adjust screw ⑩.

- Centering door:
  - Loosen screws ⑧ and ⑨.

- Adjustment of closing speed:
  - Two regulating valves ⑪ and ⑫.
  - ☉ decrease closing speed.
  - ☉ increase closing speed.
  - Valve ⑪: controlled closing range 130° - 15°.
  - Valve ⑫: controlled closing range 15° - 0°.

- Lock coverplate:
  - Using 3 screws provided.



## A.

Closer size	Max. Door Width	Max. Door Weight	Max. Opening Angle
Size 2	850mm	40kg	120°
Size 3	950mm	60kg	120°
Size 4	1100mm	80kg	120°

- Maintenance (Annually):
  - Check door closer closes the door correctly and adjust if necessary.
  - Tighten any screw that may have become loose.

- Important warning:
  - It contains a pre-stressed spring which could be dangerous, so under no circumstances attempt to dismantle the closer.